

planters and furniture
TheContainerConnection

improving your environment



Designed and
manufactured
in Australia

Directory

THE CONTAINER CONNECTION

A leading supplier of commercial planters, litterbins and furniture to the "green" industries with outlets across Australia and New Zealand. Connecting with the best designers, manufacturers and suppliers to ensure products reflect the latest trends, with constant improvements in design, materials, colours and shapes. The Container Connection combine the broadest range of high quality, distinctively designed products to meet your needs with service excellence.

The Container Connection personnel represent decades of expertise assisting you to find smart, economically viable solutions to difficult challenges, including custom design and manufacture.

The Container Connection continues to grow and diversify products for indoor and outdoor spaces.



BUY LOCAL, Reduce your Carbon Miles

Carbon Miles is now firmly part of the new carbon lingo. This is a way of expressing how far an item has travelled before it reaches you, and therefore how much CO₂ has been emitted during freighting.



Purchasing Australian designed and manufactured products is a carbon-friendly option and will make a positive impact on climate change, and keep your local economy strong.

WHY BUY LOCAL?

- Talk to someone face-to-face
- Straight forward communication
- Access and inspect the product
- Shorter lead times
- High and low volume orders available
- On-time delivery
- Additional parts are easily accessible
- Professional sales and support
- Australian owned and operated

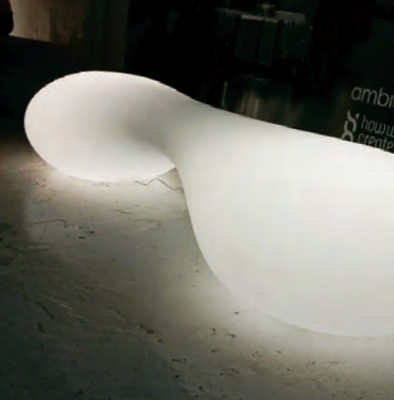


IMPROVE YOUR ENVIRONMENT



CottaPot™ Planters, Furniture and LitterSmart are manufactured in a recyclable material. All products can be manufactured in recycled material upon request.

2	Designers : Helen Kontouris Alexander Lotersztain Andrew Berry Brian Steendyk Pei-Chun Lee Adam Cornish	16	Cones Cone Bowl Table Cone
3	Zoie	17	Jardiniere
4	Zoie Glow	18	Monkey Grip
5	Limbo Limbo LED	18	Urban Cabinet Liner
6	Bandit Stool Bandit Dine Bandit Low	19	Urban 12 Urban 8 Urban 4 Urban Partition Trough
7	Pebble	20	Urban 10 Urban Wedge Urban Table Wedge
8	Vertical Garden Wall Pot Salsa	21	Cabriolet Trough Cabriolet Square
9	Coral Bench Series	22	Cabriolet Super Trough Cabriolet Super Square
10	Coral Planter	23	Traditional Vase
11	Cero SubCero	24	Traditional Square Traditional Trough
12	Anise	25	The President
12	Pinch	25	The Senator
13	Chuckel Chuckel Junior Chuckel Dine Chuckel Low	26	Sub-Irrigation
14	Diva	27	Site Shots
15	Cubes	28	Collaborate + Design
		29	Product Matrix



Helen Kontouris

Winner of the coveted Designer of Year Award as well as numerous other awards, nominations.

Kontouris is inspired by her observation of everyday experiences, of people's interaction with objects, and the fresh perspectives gained from travel, which shapes and informs her work.

'I live and breathe a culture of dreams, process and creativity. My approach to each project is an opportunity to discover, learn, evolve, simplify, interpret, innovate and create.'

helen kontouris



Alexander Lotersztain

Awarded with the inaugural Queensland premier smart state designer of the year fellowship award in 2010. Alexander was named one of 100 most influential top designers worldwide by Phaidon, top "10" most influential faces in design by scene design quarterly 2007 and top 10 of 100 young brightest australian achievers bayer/bulletin award.

Alexander has participated in international exhibitions with Sputnik, Designers Block London, Tokyo, Milano, New York, San Francisco, Berlin, Moscow and of his products are part of the design collection at the Pompidou museum in Paris.

derlot®



Andrew Berry

With a design career spanning 20 years, Andrew Berry has established himself firmly in design with a passion for creating design objects and products in the areas of industrial, furniture and consumer markets.

An industrial designer, Andrew prides himself with a discerning knowledge of all things functional and practical. Receiving

design awards for projects spanning his career, Andrew won best rotationally moulded product in 2006.

'Design should be simple in form and function and above all inspiring'.

andrew berry



Brian Steendyk

Blurring the line between art and product, Brian Steendyk's bold and energetic work creatively conveys an emotive sculptural allure, exploring line, colour and form.

Steendyk's collection of elegant products successfully combines an underlying logic with the panache fans have come to expect.

The award winning designs possess a free-spirited larrikinism that successfully provides the Australian public with sustainable local product solutions for the design focused purchaser.

Steendijk™



Pei-Chun Lee

A graduate in Industrial Design from the prestigious Melbourne University, 'Patricia' Pei-Chun Lee has established herself inhouse at PALAMONT - art in manufacturing, working on developing innovative solutions and new designs.

As a young designer, Pei-Chun approaches her work with an enormous amount of energy and drive on new and existing projects, with a fresh perspective.

'A great designer is 30% talent and 70% stamina'.

pei Chun



Adam Cornish

Melbourne-based designer Adam Cornish's work is born from simple observation based design. Having studied Industrial Design at the University of Technology Sydney and more recently, completing a degree in Furniture Design at Melbourne's RMIT, Adam retains a close affiliation with RMIT, where he regularly lectures and shares insights into his manufacturing experiences with students.

'My design process is one of simple observation based design. I believe in the continued evolution of products. Just like animals and plants, I believe products need to evolve and adapt to better suit our ever changing environment, materials, technologies and their impact they have on our planet'.

adamcornish.



Zoie

by helen kontouris



Location courtesy of Willow, New Farm



Zoie Anouk

The world of indoor planters is being taken to a new level with 'Zoie', the latest creation from reigning IDEA Designer of the Year, Helen Kontouris.

Named after the Greek word for "living thing".

Available in three sizes, the Zoie comes in a range of solid colours, or two-tone colours (restrictions apply) as pictured.

Model	Size ø (cm)	Size h (cm)	Growing Pot	Water Res (ltrs)	Weight (kg)
ZOIE 10 ANOUK	74	72	10" / 250mm	6	9.2
ZOIE 8 ANOUK	54.5	52.5	8" / 200mm	2.25	4.1
ZOIE 5 ANOUK	34.3	33.5	5" / 125mm	0.7	1.4

Zoie Glow

by helen kontouris



Zoie Glow

The world of indoor planters is being taken to a new level with 'Zoie', the latest creation from reigning IDEA Designer of the Year, Helen Kontouris.

Named after the Greek word for "living thing".

Featuring an illuminated natural white colour, with built in 240 volt lighting. The Zoie Glow is for internal use only.

Model	Size ø (cm)	Size h (cm)	Growing Pot	Water Res (ltrs)	Weight (kg)
ZOIE GLOW	54.5	52.5	8" / 200mm	2.25	6.5

* Suitable for indoor use only.

CottaPot™



Limbo

by **andrew berry**

Limbo

Limbo; a 3 - 4 person seater, translates its inspired origins of the age-loved party trick of 'limbo, how low can you go' into a functional and beautifully resolved product that celebrates the very same ideals of drawing people together into community.



Model	Size l (cm)	Size w (cm)	Size h (cm)	Weight (kg)
BERRY LIMBO SEATER	230	77	45	30



Limbo LED

Limbo LED; a great choice for any event. Illuminates, and pulses in a range of colours using a remote control. Also available in a fixed natural bright white glow. Exhibited at VIVID Light Festival Sydney Opera House Precinct 2013.

Exclusive to The Container Connection, the Limbo has the aesthetics as well as the comfort and design. A stunning work of art by Andrew Berry.



Model	Size l (cm)	Size w (cm)	Size h (cm)	Weight (kg)
BERRY LIMBO LED SEATER	230	77	45	30

Bandit

by **andrew berry**



Bandit

The spirit of the bushranger is alive and well with the Bandit range of seating and tables. As the name suggests, Bandit is inspired by the Australian rogue known as Ned. Bandit stool is utilitarian too, with integrated hand holds for easy lifting and stacking features when not in use.

Combine the Bandit stool with the Bandit Low or Bandit Dine Table for casual seating arrangements, suitable for both indoor and outdoor environments. Discover your inner Bandit!

Model	Size l (cm)	Size w (cm)	Size h (cm)	Weight (kg)
BANDIT STOOL	45	45	44	4
BANDIT DINE TABLE	75	75	72.5	21*
BANDIT LOW TABLE	65	65	45	10*

* Weight includes counter weight and table top



Pebble

by **andrew berry**



Pebble

The secret to a Zen Like atmosphere inside or out is to combine both architectural and organic shapes to sooth the mind and spirit.

Stunning in both natural and modern colours to suit every environment.

Model	Size Ø (cm)	Size h (cm)	Growing Pot	Water Res (ltrs)	Weight (kg)
PEBBLE 10	87	40	10" / 250mm	15	7
PEBBLE 8	68	30	8" / 200mm	4	4
PEBBLE 5	37.5	18	5" / 125mm	1	1

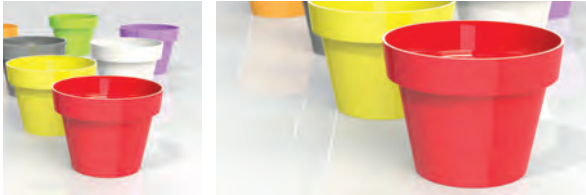
Vertical Garden Wall Pot

by **andrew berry**

Vertical Garden Wall Pot

The classic Italian style planter style has been captured in this cute, compact pot designed specifically to suit the vertical garden wall system.

Made from tough, UV stabilised eco friendly recyclable polymer, these planters come in a variety of colours, or customised colours can be ordered upon request.



Model	Size ø (cm)	Size h (cm)	Soil Capacity	Weight (kg)
VERTICAL POT	14	10.5	0.9 Litres	0.1



Salsa

by **andrew berry**

Salsa

Salsa planters redefine the shape of planters. Inspired from the organic shape of seeds from which all plants grow.

Available with a specialised self-watering system ensuring plants look their best for longer. The Salsa is suited to both indoor and outdoor environments.



Model	Size l (cm)	Size w (cm)	Size h (cm)	Growing Pot	Water Res.	Weight (kg)
SALSA 8	52	54.5	45	8" / 200mm	1.5 L	3.5





Coral Series

by *Steendijk*TM



Coral Seating

Coral's flowing curves catch your eye and exude elegance to compliment any fashionable space.

Coral is linked together to form a configuration of your choice, the design variations are limitless. A sub-irrigated planter which doubles as a back rest is an integral part of this unique setting.

The Coral setting is ideal for commercial, hospitality and residential spaces.

Description	Size w (cm)	Size l (cm)	Size h (cm)	Growing Pot	Water Res.	Weight (kg)
planter end	55	99	119	13"/330mm	4 L	14
seat curved	46	160	45	n/a	n/a	14
end piece	46	55	45	n/a	n/a	5



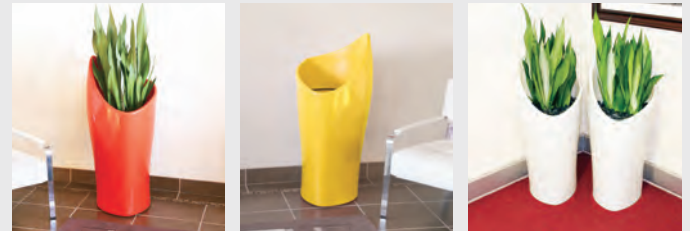
Coral Series

by *Steendijk*TM

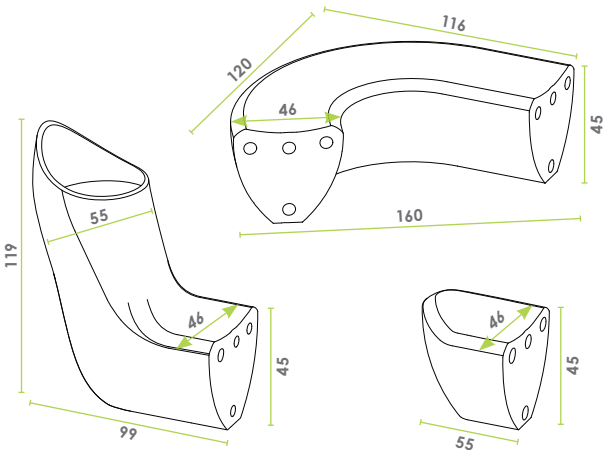
Coral Planter

The Coral planter brings with it a unique style and panache. The Coral planter cradles plants, presenting them in an elevated position.

Suited to both indoor and outdoor environments, the Coral planter is available in a wide range of colours.



Model	Size ø (cm)	Size h (cm)	Growing Pot	Water Res.	Weight (kg)
CORAL 900	51	102	13" / 330mm	4 L	14





Location courtesy of Willow, New Farm

Cero

by *Steendijk*TM

Cero

Winner of a 2003 Australian Design Award, the Cero stool is a captivating union between form and function. Simple lines imbue this timeless piece with an elegance that catches the eye and provokes a smile.

The streamlined Cero features a stylish central void while its distinctive nibble elicits an uncontrollable desire to take a seat.



Model	Size l (cm)	Size w (cm)	Size h (cm)	Weight (kg)
CERO STOOL	57.5	42	45	3.5



SubCero

SubCero is the sibling of the internationally successful Cero stool. The stylish central void distributes forces applied to the seat throughout the circular form giving strength and robustness.

Importantly for young children sharp edges have been eliminated and a unique ergonomic nibble in the top of the chair encourages good posture.



Model	Size l (cm)	Size w (cm)	Size h (cm)	Weight (kg)
SUBCERO STOOL	38.5	28	30	1.5

Anise + Pinch

by *Steendijk*TM



Location courtesy of Portabello, Albany Creek

Anise

Anise stool adds spice to your life with its vibrant, expressive form. Inspired by nature's own creation the star anise.

The Anise stool immortalizes this unique form in this beautifully shaped stool. Creating an immediate convivial atmosphere suited to indoor and outdoor environments with a self-draining design.



Model	Size ø (cm)	Size h (cm)	Weight (kg)
ANISE STOOL	40	45	3

Pinch

Pinch is a magically simple stool with a soft curved lip draping down to a gentle "X" form. By rotating the stool it can be conveniently and securely stacked.

Available in a range of colours to suit all occasions, Pinch is the answer when simplicity is required.



Model	Size l (cm)	Size w (cm)	Size h (cm)	Weight (kg)
PINCH STOOL	37.5	37.5	44.5	2.5





Location courtesy of Willow, New Farm

Chuckel

by *Steendijk*TM

Chuckel Chuckel Jnr

A whole lot of fun. Chuckel is an elegant yet playful stool that suits many environments.

Chuckel is light, easy to move and above all comfortable. Adaptable to both internal as well as external environments.

Chuckel dynamically locks together function, beauty and spirit.

Model	Size ø (cm)	Size h (cm)	Weight (kg)
CHUCKEL	40	44	2.5
CHUCKEL JR	32	30	1.5



Chuckel Dine Table Chuckel Low Table

Chuckel Tables are an elegant yet playful table that suits many environments.

Chuckel Dine dynamically locks together function, beauty and spirit.

Adaptable to both internal as well as external environments, Chuckel is fabricated in UV resistant recyclable polyethylene.



Model	Size ø (cm)	Size h (cm)	Weight (kg)
CHUCKEL DINE TABLE	90	72	8
CHUCKEL LOW TABLE	90	46	7

Diva



Diva

The Primadona of plantscape design, specifically for large plantings.

The Diva has a large capacity so you can maintain mature plantings and ensure they have extended life.

The Diva creates presence in the space it lives. Add the option of colour and Diva will give your project theatre.

Model	Size ø (cm)	Size h (cm)	Water Res.	Soil Capacity	Weight (kg)
DIVA 1	120	105	avail	0.7m ²	25
DIVA 2	150	131	avail	1.3m ²	40



Cubes



Cubes

Architectural and minimalist, the Cubes with their clean lines and contemporary design will fill any brief for creative design layering.

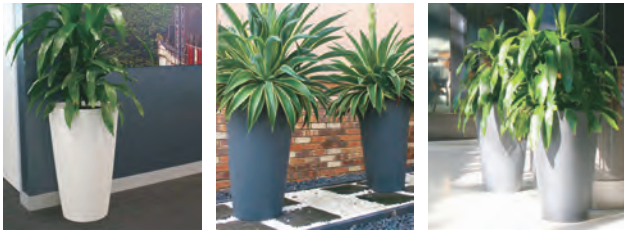
Whether using colour or contrast the Cubes will provide the perfect finish for your project.

Model	Size l (cm)	Size w (cm)	Size h (cm)	Growing Pot *	Water Res (litrs)	Wieght (kg)
CUBE 800	40	40	80	13" / 330mm	5 L	8.5
CUBE 600	40	40	60	13" / 330mm	5 L	7
CUBE 400	40	40	40	13" / 330mm	5 L	5.5

Cone Series



Cones



Model	Size Ø (cm)	Size h (cm)	Growing Pot	Water Res.	Weight (kg)
CONE 50	35.5	52	10" / 250mm	2 L	2.5
CONE 70	45.5	72	13" / 330mm	4 L	5
CONE 90	53	90	16" / 400mm	6 L	6
CONE 100	61	104	16" / 400mm	6 L	11

Cone Bowl



Model	Size Ø (cm)	Size h (cm)	Water Res.	Weight (kg)
CONE BOWL	40	15	n/a	1

Table Cone



Model	Size Ø (cm)	Size h (cm)	Growing Pot	Water Res.	Weight (kg)
TABLE CONE	26	24	8"	1 L	1

Jardiniere



Jardiniere

A classic that softens even the hardest architectural lines. With its understated design, the Jardiniere not only looks good, but keeps your plants looking great with its large water capacity.

Model	Size Ø (cm)	Size h (cm)	Growing Pot	Water Reservoir	Weight (kg)
JARDINIERE38	38	34	10" / 250mm	5 L	1.8
JARDINIERE45	45	38	12" / 300mm	7 L	2.6

Monkey Grip

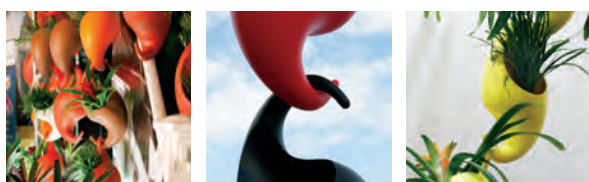
by **adamcornish.**

Monkey Grip

Monkey Grip, a playful system linking pots, enabling the user to create beautiful screens and columns of foliage.

This planters unique shape not only enables the plants to be linked together, but also houses a water reservoir.

The Monkey Grip's unique joining system pays homage to the children's game, 'barrel of monkeys' adding a playful structure with colour and fun.



Model	Size l (cm)	Size w (cm)	Size h (cm)	Growing Pot	Water Res. (litr)	Weight (kg)
MONKEY GRIP	20	20	44	4"/110mm	0.35	0.7

* Suitable for both indoor / outdoor use
* Plant hangar hook available



Urban Series

Urban Cabinet Liner

Manufactured from 100% recycled polyethylene, the Urban Cabinet Liner suits most Tambor Units of this size.

Sub-irrigated and water tight ensures longevity for your plants and protects your cabinetry.

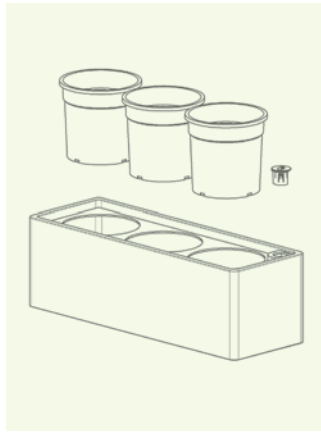


Model	Size l (cm)	Size w (cm)	Size h (cm)	Growing Pot	Water Res.	Weight (kg)
URBAN CABINET LINER	85	41	29.5	6x8" / 200mm	15 L	6



Urban Series

Urban 12



Model	Size l (cm)	Size w (cm)	Size h (cm)	Growing Pot	Water Res.	Weight (kg)
URBAN 12 PLANTER BOX	110	41	38	3x 12" / 300mm	20 L	9

Urban 8



Model	Size l (cm)	Size w (cm)	Size h (cm)	Growing Pot	Water Res.	Weight (kg)
URBAN 8 PLANTER BOX	90	24.5	23.5	4x 8" / 200mm	5 L	4.5

Urban 4



Model	Size l (cm)	Size w (cm)	Size h (cm)	Growing Pot	Water Res.	Weight (kg)
URBAN 4 PLANTER BOX	90	50	30	4x 10" / 250mm	10 L	8

Urban Partition Trough



Model	Size l (cm)	Size w (cm)	Size h (cm)	Growing Pot	Water Res.	Weight (kg)
URBAN PARTITION TROUGH	75	18	19	4x 6" / 150mm	2 L	3

URBAN PARTITION TROUGH BRACKET SET (4 X BRACKETS + FITTINGS)

Urban Series

The Urban series; add a bit of colour with this versatile, streamlined range. Suitable for all commercial and hospitality projects where screening may be required or mass plantings for green building projects.

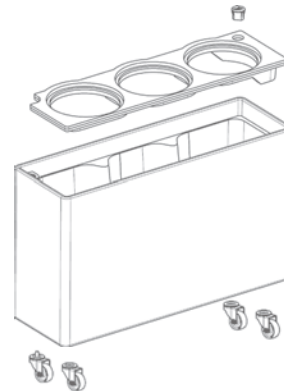


Images of SANTOS Place courtesy of IEQ Indoor Plant Services



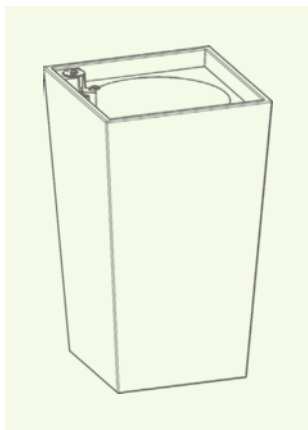
Images of SANTOS Place courtesy of IEQ Indoor Plant Services

Urban 10



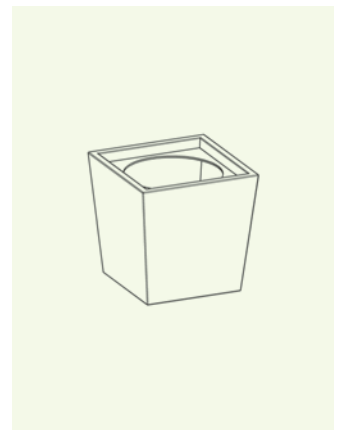
Model	Size l (cm)	Size w (cm)	Size h (cm)	Growing Pot	Water Res.	Weight (kg)
URBAN 10 TROUGH INTERIOR	100	32	60	3x10" / 250mm	17.5 L	13
URBAN 10 MULCH PLATE	90	25	5	3x10" / 250mm	n/a	2
URBAN 10 TROUGH EXTERIOR	100	32	60	n/a	50 L	13
URBAN 10 CASTOR SET (4 X HEAVY DUTY CASTORS + FITTINGS AVAILABLE)						

Urban Wedge



Model	Size l (cm)	Size w (cm)	Size h (cm)	Growing Pot	Water Res.	Weight (kg)
URBAN WEDGE	39	39	65	1 x 13" / 330mm	5 L	7

Urban Table Wedge



Model	Size l (cm)	Size w (cm)	Size h (cm)	Growing Pot	Water Res.	Weight (kg)
URBAN TABLE WEDGE	24.5	24.5	26	1 x 8" / 200mm	0.35 L	1.2



Cabriolet

Cabriolet

Impressive, sleek and innovative. The Cabriolet is a truly advanced planter system with sub-watering strategies for both interior and exterior projects.

The trough and square can be used together to create a statement or as individual pieces.

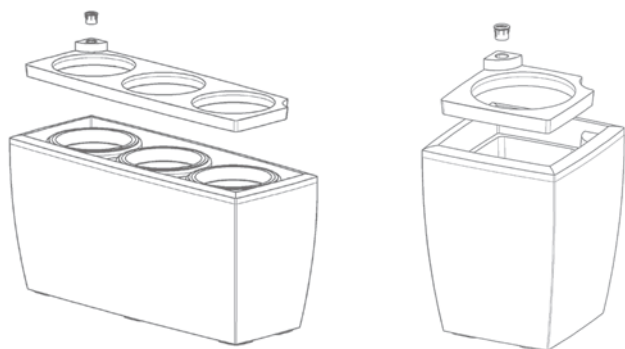


Image courtesy of Prestigious Plantscapes

Cabriolet Square



Model	Size l (cm)	Size w (cm)	Size h (cm)	Growing Pot	Water Res.	Weight (kg)
CABRIOLET SQUARE - INTERIOR	46	46	60	13" / 330 mm	8 L	6
CABRIOLET SQUARE - EXTERIOR	46	46	60	13" / 330 mm	25 L	6
CABRIOLET SQUARE MULCH PLATE	38.6	38.6	4.6	13" / 330 mm	n/a	0.7

Cabriolet Trough



Model	Size l (cm)	Size w (cm)	Size h (cm)	Growing Pot	Water Res.	Weight (kg)
CABRIOLET TROUGH INTERIOR	120	46	60	3 x 13" / 330 mm	20 L	18
CABRIOLET TROUGH EXTERIOR	120	46	60	3 x 13" / 330 mm	60 L	18
CABRIOLET TROUGH MULCH PLATE	115	38.6	4.6	3 x 13" / 330 mm	n/a	2

Cabriolet Super



Cabriolet Super

The Super Cabriolet as the name suggests is perfect for large plantings, inside or out. Structurally sound, the trough has a 100 Litre water reservoir when used externally and has the capacity to accommodate large trees and shrubs. A perfect choice for courtyards, shopping centres, plazas and for mass screenings.

Model	Size l (cm)	Size w (cm)	Size h (cm)	Growing Pot	Water Res.	Weight (kg)
CABRIOLET SUPER TROUGH INTERIOR	150	65	80	4 x 13" / 330 mm	80 L	55
CABRIOLET SUPER TROUGH EXTERIOR	150	65	80	4 x 16" / 400 mm	100 L	55
CABRIOLET SUPER SQUARE INTERIOR	65	65	80	13" - 16" / 330 - 400 mm	25 L	22
CABRIOLET SUPER SQUARE EXTERIOR	65	65	80	16" / 400 mm	40 L	22



Traditional Vase



Traditional Vase

A traditional timeless range to suit conservative planscape designs, for interior and exterior use.

A wide range of colours are available for this series.

Model	Size ø (cm)	Size h (cm)	Growing Pot	Weight (kg)
TRADITIONAL VASE 26	26	27	8"/200mm	0.65
TRADITIONAL VASE 43	43	35	13"/330mm	1.5
TRADITIONAL VASE 51	51	42	16"/400mm	2.4
TRADITIONAL VASE 63	63	53	20"/508mm	3.6
TRADITIONAL VASE 75	75	65	LGE	6
TRADITIONAL VASE 94	94	77	LGE	11
TRADITIONAL VASE 120	120	92	LGE	20



Traditional Square + Trough

Traditional Square

A traditional timeless range to suit conservative planscape designs, for interior and exterior use.

A wide range of colours are available for this series.



Model	Size l (cm)	Size w (cm)	Size h (cm)	Growing Pot	Weight (kg)
TRAD SQUARE 46	46	46	42	13"/330 mm	4
TRAD SQUARE 56	56	56	52	16"/400 mm	7

Traditional Trough

A traditional timeless range to suit conservative planscape designs, for interior and exterior use.

A wide range of colours are available for this series.



Model	Size l (cm)	Size w (cm)	Size h (cm)	Growing Pot	Water Res.	Weight (kg)
TRAD TROUGH 76	76	31	23	3 x 8"/200mm	n/a	3.5
TRAD TROUGH 96	96	38	29	3 x 10"/250mm	n/a	6
TRAD TROUGH 114	114	48	41	3 x 13"/330mm	n/a	11
TRAD TROUGH 120	120	48	61	3 x 13"/330mm	14 L *	17

* Sub-irrigation built in

The President + The Senator

The President

A traditional design to suit conservative planscape designs for, both indoors and outside.

Stylish, functional and cost effective. With two plant capacity and 36 litre Water Reservoir provides the opportunity for outstanding landscaping with substantial cost savings.

A smart solution to design that works, The President is a planter for all seasons.

A wide range of colours are available for this series.

Model	Size l (cm)	Size w (cm)	Size h (cm)	Growing Pot	Water Res.	Soil Capacity	Weight (kg)
8370	100	49	49	2 x 13"/ 330mm	36 L	84.6 L	13



The Senator

A traditional design to suit conservative planscape designs for, both indoors and outside.

The perfect blend of style and function with a built-in sub-irrigation system to give 48 litres of water reserve.

The unique wick system provides continuous access to available water in the reservoir.

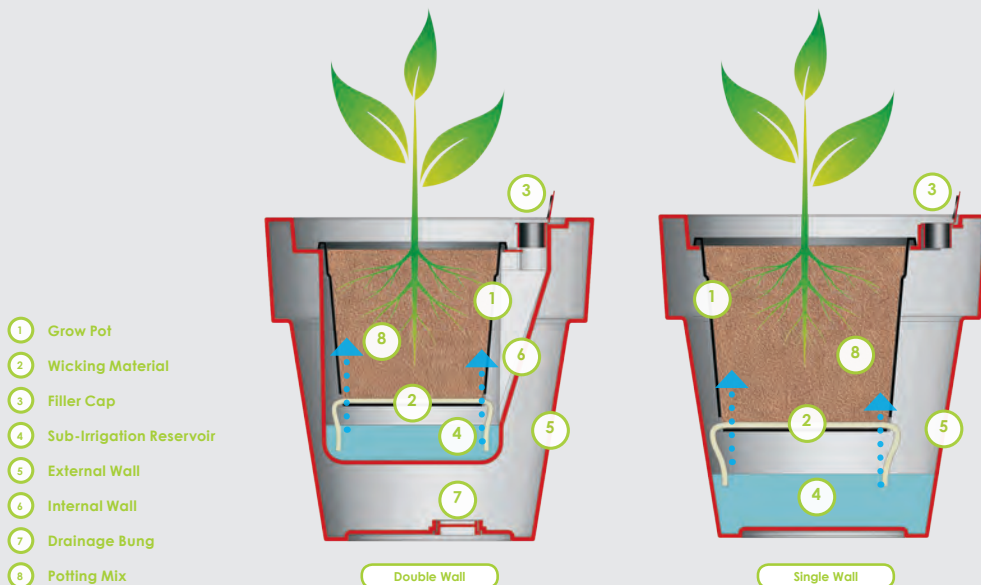
A wide range of colours are available for this series.

Model	Size l (cm)	Size w (cm)	Size h (cm)	Growing Pot	Water Res.	Soil Capacity	Weight (kg)
8270	75	75	68	20"/508mm	48 L	135 L	20

Sub-Irrigation



Setup for Sub-Irrigation for indoor use



- 1 Grow Pot
- 2 Wicking Material
- 3 Filler Cap
- 4 Sub-Irrigation Reservoir
- 5 External Wall
- 6 Internal Wall
- 7 Drainage Bung
- 8 Potting Mix

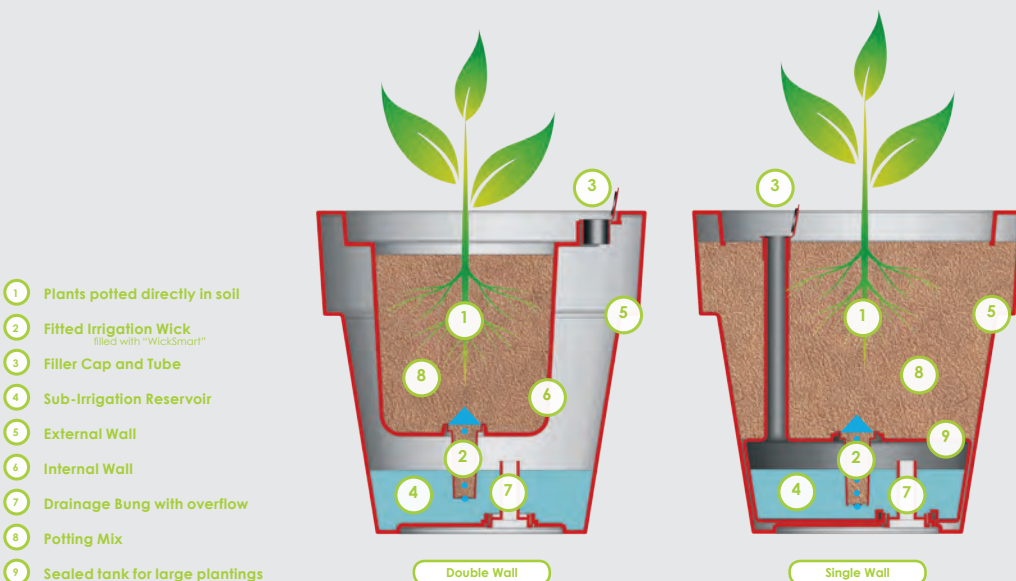
Internal Setup instruction:

- Grow Pot is suspended on rim of internal bucket.
- Wick is inserted through base of internal grow pot.
- To gauge water level, insert dipstick through filler cap.

Sub-irrigation helps to maintain your plants for longer, and consumes up to 60% less water than traditional planters. It is recommended that watering over the top at the time of installation is necessary. Potting mix should be moist all the way through.

* Sub-irrigation diagram is a guide only.

Setup for Sub-Irrigation for outdoor use



- 1 Plants potted directly in soil
- 2 Fitted Irrigation Wick filled with "WickSmart"
- 3 Filler Cap and Tube
- 4 Sub-Irrigation Reservoir
- 5 External Wall
- 6 Internal Wall
- 7 Drainage Bung with overflow
- 8 Potting Mix
- 9 Sealed tank for large plantings

Sub-irrigation:

- Extends water cycles
- Less Maintenance
- Saves Time
- Promotes Healthier Plants
- Total Water Control

It is recommended that watering over the top at the time of installation is necessary. Potting mix should be moist all the way through.

* Sub-irrigation diagram is a guide only.

Site Shots



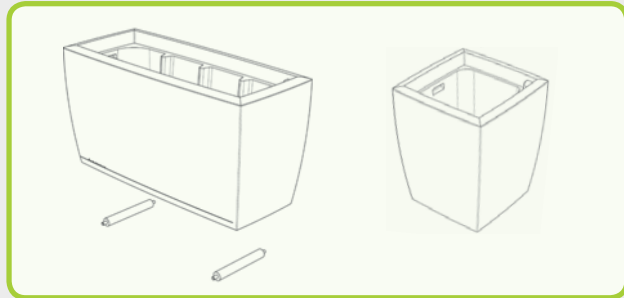
Collaborate + Design



Concept



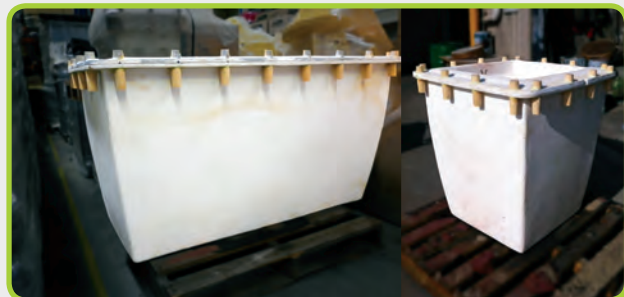
Line Drawing



Final Design Concept



Fibreglass Forms



Collaborate + Design

Sometimes you need a product which is job specific. We are recognised as a leader in innovation and can manage the most difficult concepts. We add intellect, we collaborate to produce superior Australian designed and manufactured products for domestic and international markets. Our team of outstanding designers, manufacturers and distributors are ready to collaborate on your next project.

Mould to Manufacture



Shot Testing



Finished Product



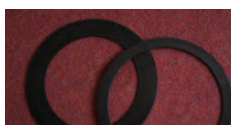
Product	Name	Page	Size (cm) l x w x h	Suitable for Grow Pot sizes up to	Water Res.	Soil Capacity	Weight (kg)
Zoie Series	Zoie 10 Anouk	3	74 ^Ø x 72	10" / 250 mm	6 litres		5
	Zoie 8 Anouk	3	54.5 ^Ø x 52.5	8" / 200 mm	2.25 litres		3.5
	Zoie 5 Anouk	3	34.3 ^Ø x 33.5	5" / 125 mm	0.7 litres		1
	Zoie Glow	4	54.5 ^Ø x 52.5	8" / 200 mm	2.25 litres		3.5
Limbo	Berry Limbo Seater	5	230 x 77 x 45				33
	Berry Limbo LED Seater	5	230 x 77 x 45				33
Bandit Series *	Bandit Stool	6	45 x 45 x 44				4
	Bandit Dine Table	6	75 x 75 x 72.5				21
	Bandit Low Table	6	65 x 65 x 45				10
Pebble	Pebble 10	7	87 ^Ø x 40	10" / 250 mm	2 litres		7
	Pebble 8	7	68 ^Ø x 30	8" / 200 mm	1.5 litres		4
	Pebble 5	7	37.5 ^Ø x 18	5" / 125 mm	0.4 litres		1
Wall Pot *	Vertical Garden Wall Pot	8	14 ^Ø x 10.5			0.9 litres	0.1
Salsa	Salsa 8	8	52 x 54.5 x 45	8" / 200 mm	1.5 litres		3.5
Coral Seating *	Coral Bench Planter	9	99 x 55 x 119	13" / 330 mm	4 litres		14
	Coral Bench Seat Curve	9	160 x 46 x 45				14
	Coral Bench End Piece	9	55 x 46 x 45				5
Coral Planter	Coral Planter 900	10	51 ^Ø x 102	13" / 330 mm	4 litres		14
Cero Stool *	Cero Stool	11	57.5 x 42 x 45				3.5
	Sub Cero Stool	11	38.5 x 28 x 30				1.5
Anise Stool *	Anise Stool	12	40 ^Ø x 45				3
Pinch Stool *	Pinch Stool	12	37.5 x 37.5 x 44.5				2.5
Chuckel Series	Chuckel Stool	13	40 ^Ø x 44				2.5
	Chuckel Jnr	13	32 ^Ø x 30				1.5
	Chuckel Dine	13	80 ^Ø x 72				8
	Chuckel Low	13	80 ^Ø x 46				7
Diva	Diva 1	14	120 ^Ø x 105	n/a	avail	0.7m ²	25
	Diva 2	14	150 ^Ø x 131	n/a	avail	1.3m ²	40
Cube	Cube 800	15	40 x 40 x 80	13" / 330 mm	5 litres		8.5
	Cube 600	15	40 x 40 x 60	13" / 330 mm	5 litres		7
	Cube 400	15	40 x 40 x 40	13" / 330 mm	5 litres		5.5
Cone Series	Cone - 50	16	35.5 ^Ø x 52	10" / 250 mm	2 litres		2.5
	Cone - 70	16	45.5 ^Ø x 72	13" / 330 mm	4 litres		5
	Cone - 90	16	53 ^Ø x 90	16" / 400 mm	6 litres		6
	Cone - 100	16	53 ^Ø x 90	16" / 400 mm	6 litres		11
	Table Cone	16	26 ^Ø x 24	8" / 200 mm	1 litre		1
	Cone Bowl	16	40 ^Ø x 15	n/a	n/a		1
	Cone - Water Table to fit 90 + 100						

* NEW PRODUCTS

Product	Name	Page	Size (cm) l x w x h	Suitable for Grow Pot sizes up to	Water Res.	Soil Capacity	Weight (kg)
Jardiniere	Jardiniere 38	17	38 ^Ø x 34	10" / 250 mm	5 litres		1.8
	Jardiniere 45	17	45 ^Ø x 38	12" / 300 mm	7 litres		2.6
Monkey Grip	Monkey Grip Medium	18	20 x 20 x 44	4" / 110 mm	0.35 litres		0.7
Urban	Urban Cabinet Liner	18	85 x 41 x 29.5	6 x 8" / 200 mm	15 litres		6
	Urban 12 Planter Box	19	110 x 41 x 38	3 x 12" / 300 mm	20 litres		9
	Urban 8 Planter Box	19	90 x 24.5 x 23.5	4 x 8" / 200 mm	5 litres		4.5
	Urban 4 Planter Box	19	90 x 50 x 30	4 x 10" / 250 mm	10 litres		8
	Urban Partition Trough	19	75 x 18 x 19	4 x 6" / 150 mm	2 litres		3
	Urban Partition Trough Brackets	19					
	Urban 10 Trough Interior	20	100 x 32 x 60	3 x 10" / 250 mm	17.5 litres		13
	Urban 10 Mulch Plate	20	90 x 25 x 5	3 x 10" / 250 mm			2
	Urban 10 Trough Exterior	20	100 x 32 x 60	n/a	50 litres		
	Urban 10 Castor Set	20					
	Urban Wedge	20	39 x 39 x 65	1 x 13" / 330 mm	5 litres		7
	Urban Table Wedge	20	24.5 x 24.5 x 26	n/a	0.35 litres		1.2
Cabriolet	Cabriolet Trough - Interior	21	120 x 46 x 60	3 x 13" / 330 mm	20 litres		18
	Cabriolet Trough - Mulch Plate	21	115 x 38.6 x 4.6	3 x 13" / 330 mm	n/a		2
	Cabriolet Trough - Exterior	21	120 x 46 x 60		60 litres		18
	Cabriolet Square - Interior	21	46 x 46 x 60	13" / 330 mm	8 litres		6
	Cabriolet Square - Mulch Plate	21	38.6 x 38.6 x 4.6	13" / 330 mm	n/a		0.7
	Cabriolet Square - Exterior	21	46 x 46 x 60		25 litres		6
Cabriolet Super *	Internal Dimensions for Planting						
	Cabriolet Super - Trough Interior	22	150 x 65 x 80	4 x 13" / 330 mm	80 litres		55
	Cabriolet Super - Trough Exterior	22	150 x 65 x 80	4 x 16" / 400 mm	100 litres	132L x 48W x 48D	55
	Cabriolet Super - Square Interior	22	65 x 65 x 80	13"-16" / 330 - 400 mm	25 litres		22
	Cabriolet Super - Square Exterior	22	65 x 65 x 80	16" / 400 mm	40 litres	48L x 48W x 48D	22
Traditional	Traditional Vase - 26	23	26 ^Ø x 27	8" / 200 mm	n/a	6.2 L	0.63
	Traditional Vase - 43	23	43 ^Ø x 35	13" / 330 mm	n/a	26.4 L	1.5
	Traditional Vase - 51	23	51 ^Ø x 42	16" / 400 mm	n/a	42.0 L	2.4
	Traditional Vase - 63	23	63 ^Ø x 53	20" / 508 mm	n/a	88.3 L	3.6
	Traditional Vase - 75	23	75 ^Ø x 65	LGE	n/a	158.9 L	6
	Traditional Vase - 94	23	94 ^Ø x 77	LGE	n/a	292.5 L	11
	Traditional Vase - 120	23	120 ^Ø x 95	LGE	n/a	350.0 L	20
	Traditional Square - 46	24	46 x 46 x 42	13" / 330 mm	n/a	52.4 L	4
	Traditional Square - 56	24	56 x 56 x 52	16" / 400 mm	n/a	97.6 L	7
	Traditional Trough - 76	24	76 x 31 x 23	3 x 8" / 200 mm	n/a	32.2 L	3.5
	Traditional Trough - 96	24	96 x 38 x 29	3 x 10" / 250 mm	n/a	67.3 L	6
	Traditional Trough - 114	24	114 x 48 x 41	3 x 13" / 330 mm	n/a	125.4 L	11
	Traditional Trough - 120	24	120 x 48 x 61	3 x 13" / 330 mm	avail	140.4 L	17
President	The President	25	100 x 49 x 49	2 x 13" / 330 mm	36 L	84.6 L	13
Senator	The Senator	25	75 x 75 x 68	20" / 508 mm	48 L	135 L	20

Reducer Rings

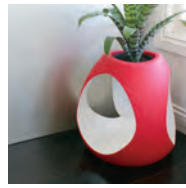
Are included in selected planters so plant size can be determined by the customer. eg. 8580 Cone can take from a 13" plant down to a 10" plant using the Reducer Rings



Think Green Think CottaPot

CottaPot is manufactured in a recyclable material. Planters and Litterbins can be made in recycled polyethylene on request.





planters and furniture
TheContainerConnection

CottaPot™

Ceramalite

Lechuza®

fabfol
 PLANTERS

PODS

karaka™
 PLANTERS

LS LitterSmart

Brisbane

Sydney

Melbourne

Adelaide

Perth

NZ

P : 07 3712 0466
 F : 07 3712 0488

P : 02 9624 4114
 F : 02 9624 4039

P : 03 9764 1080
 F : 03 9764 1995

P : 08 8336 3066
 F : 08 8365 8977

P : 08 9309 2442
 F : 08 9309 2787

P : 04 939 6666
 F : 04 939 6696

TheContainerConnection

www.containerconnection.com.au